



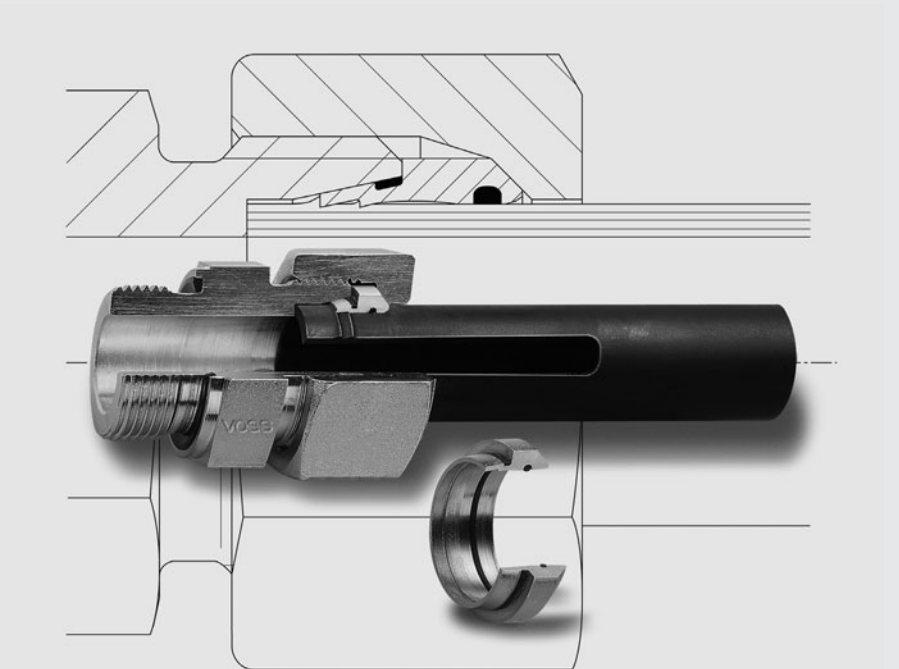
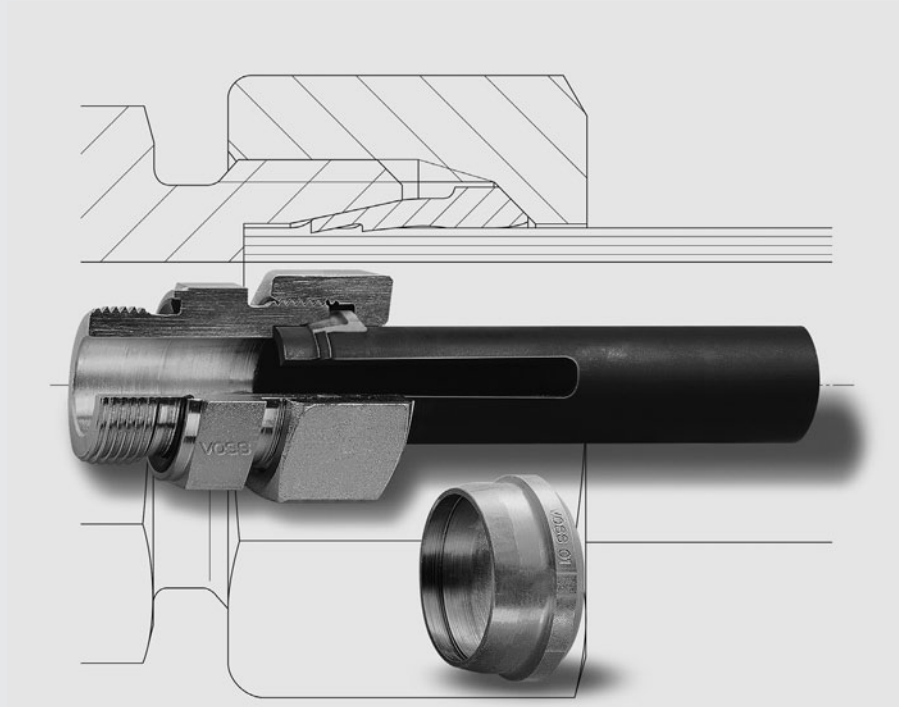
LEHENGOTAK, S.A.

Schneidringverschraubungen

Cutting Ring Couplings

- 2S
- ES-4

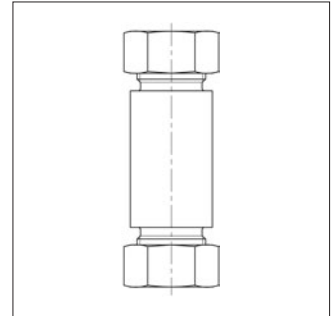
- 2S
- ES-4



Erfahrung plus Ideen
Experience plus ideas

Einschweiß-
Schott-
verschraubungen

Welding bulkhead
couplings



2

Typ Type	2S (MG 1)		ES-4 (MG 14)		** (MG 1)	
	Bestell-Nr. OrderNo.	€/100 ¹⁾ €/100 ¹⁾	Bestell-Nr. Order No	€/100 ¹⁾ €/100 ¹⁾	Bestell-Nr. Order No.	€/100 ¹⁾ €/100 ¹⁾
L 6	0141000007*	1.180,04	0141000009*	1.463,98	0741000000	1.032,54
L 8	0141050007	1.202,15	0141050009	1.507,01	0741050000	1.039,92
L 10	0141100007	1.291,89	0141100009	1.653,27	0741100000	1.107,51
L 12	0141150007	1.655,74	0141150009	2.071,23	0741150000	1.434,48
L 15	0141200007	1.771,30	0141200009	2.314,59	0741200000	1.481,21
L 18	0141250007	2.358,86	0141250009	3.189,79	0741250000	1.869,62
L 22	0141300007	3.085,31	0141300009	4.116,61	0741300000	2.426,46
L 28	0141350007	4.010,89	0141350009	5.198,31	0741350000	2.902,16
L 35	0141400007	5.474,88	0141400009	7.597,73	0741400000	4.014,59
L 42	0141450007	7.949,29	0141450009	10.783,82	0741450000	6.287,39
S 6	0141500007	1.445,54	0141500009	1.729,49	0741500000	1.285,75
S 8	0141550007	1.536,51	0141550009	1.841,35	0741550000	1.364,42
S 10	0141600007	1.685,24	0141600009	2.046,63	0741600000	1.459,06
S 12	0141650007	1.755,31	0141650009	2.170,78	0741650000	1.497,17
S 14	0141700007	2.693,19	0141700009	3.618,78	0741700000	2.270,34
S 16	0141750007	2.585,02	0141750009	3.326,23	0741750000	2.068,75
S 20	0141800007	3.286,90	0141800009	4.212,49	0741800000	2.546,92
S 25	0141850007	4.364,91	0141850009	5.707,20	0741850000	3.098,85
S 30	0141900007	5.479,80	0141900009	7.376,47	0741900000	3.901,49
S 38	0141950007	8.445,87	0141950009	10.848,98	0741950000	6.211,18

* Beispiel Bez. Vergl.:
ESV06L
ESV06ZL

** rohrseitig ohne Überwurfmutter
und Schneidring
¹⁾ € / 100 Stück, Stahl

* Sample product code:
ESV06L
ESV06ZL

** without union nut and cutting
ring at tube end
¹⁾ € / 100 Pieces, steel